

**JIS 10K**

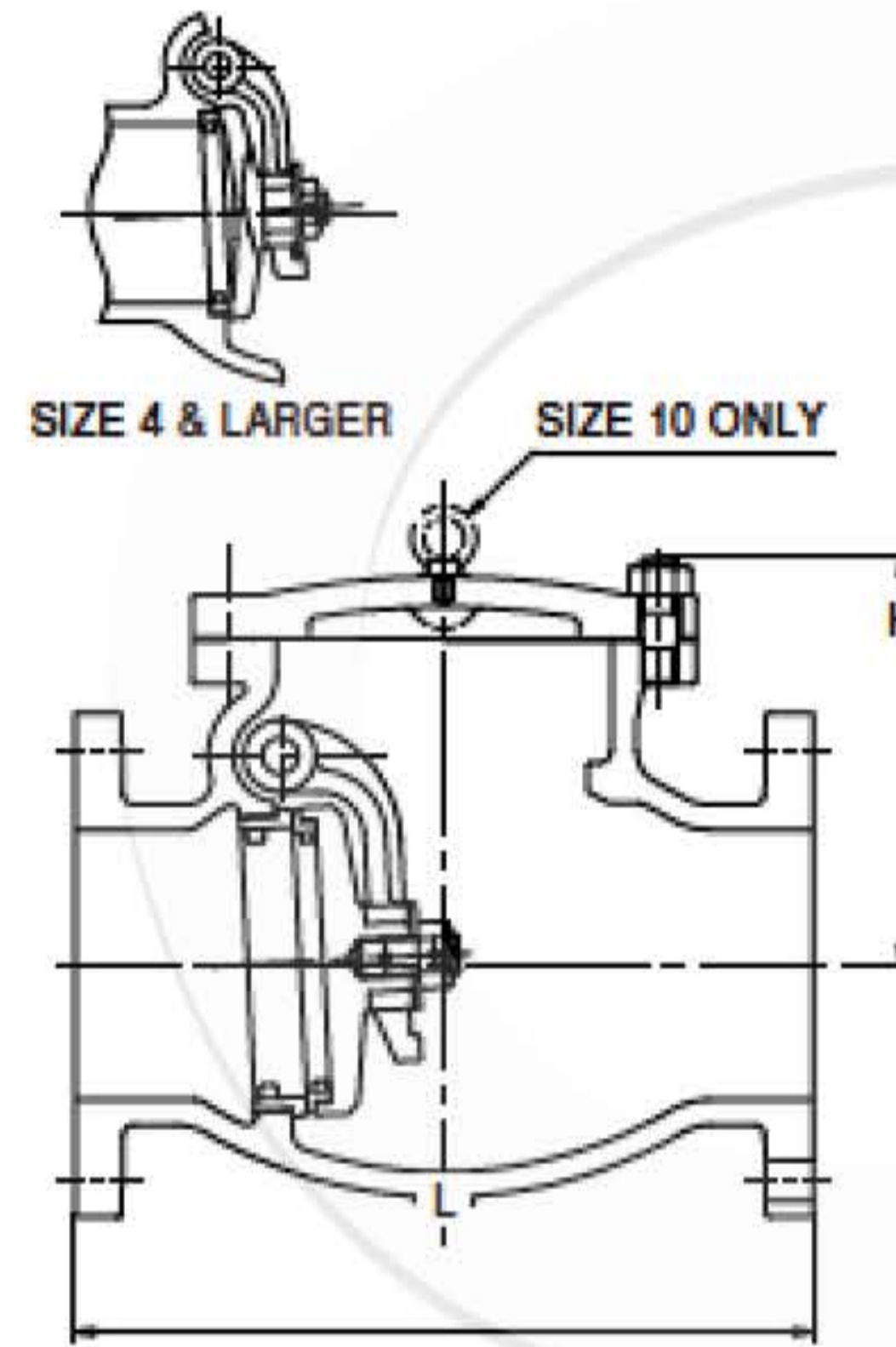
**IRON SWING CHECK VALVE**

Bolted cover, swing type disc.

Designed to JIS B2031

**Fig. 10FCO**

• Bronze trim



**Materials**

Parts	Material	JIS Spec.		
		10FCO	10FCOS	10FCOS
Body	Cast Iron	FC200		
Cover	Cast Iron	FC200		
Hinge pin	Brass/Stainless Steel	C3771BD	SUS403	SUS304
Disc	1 1/4 & 4	Brass/Stainless Steel	CAC406	SUS403
	5 & larger	Cast Iron	FC200	
Disc seat ring	Brass/Stainless Steel	CAC406	SUS403	SUS304
Body seat ring	Bronze	CAC406	SUS403	SUS304
Arm	Stainless Steel	SCS13A		
Gasket	Asbestos-free			
Cover bolt/nut	Carbon Steel			

For JIS Valves Pressure-Temperature Ratings MPa, refer to page 2.

**Dimensions**

Valve Size	B	1 1/2*	2	2 1/2	3	4	5	6	8	10*	12*	14*	mm
	A	40	50	65	80	100	125	150	200	250	300	350	
<b>L</b> Face-to-face		190	200	220	240	290	360	410	500	620	700	787	
<b>H</b> Height		106	111	121	145	165	207	225	268	315	356	381	

Only 12" & 14" for 10FCOS & 10FCOU. \*No JIS Mark